

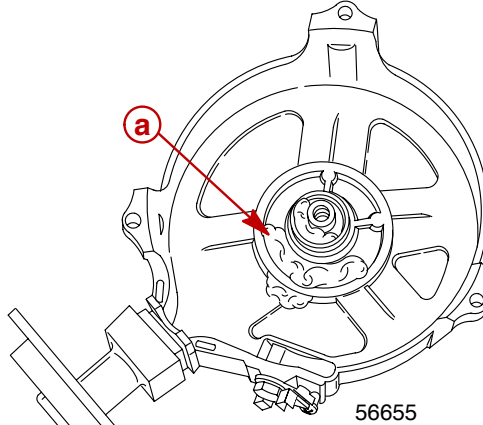


Reassembly

CAUTION

When reassembling rewind starter, safety glasses must be worn in case spring should uncoil out of housing.

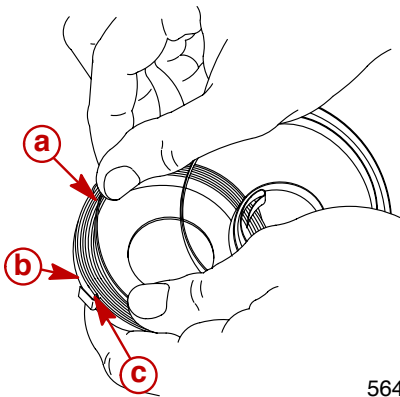
1. Apply a small amount of 2-4-C Marine Lubricant in starter housing as shown.



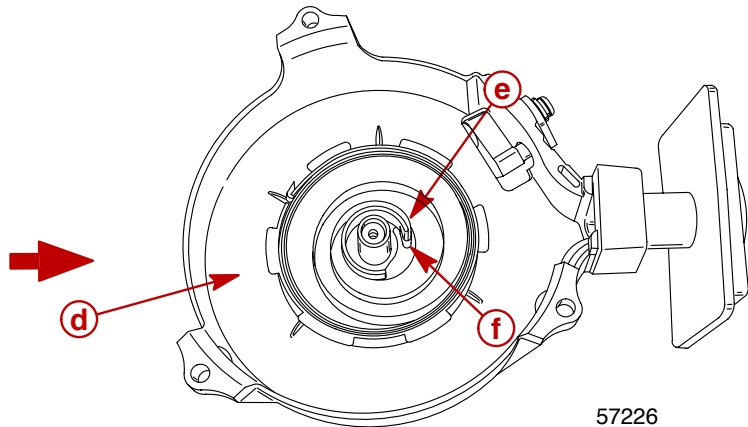
95 2-4-C With Teflon (92-825407A12)

a - 2-4-C Marine Lubricant

2. Apply a thin coat of non-metallic low temperature grease to spring cavity of starter housing.
3. Place outer hook of starter spring in slot of housing and wind spring clockwise into spring cavity.
4. Install spring/housing assembly into starter housing while positioning inner spring hook onto starter housing tab.



56474

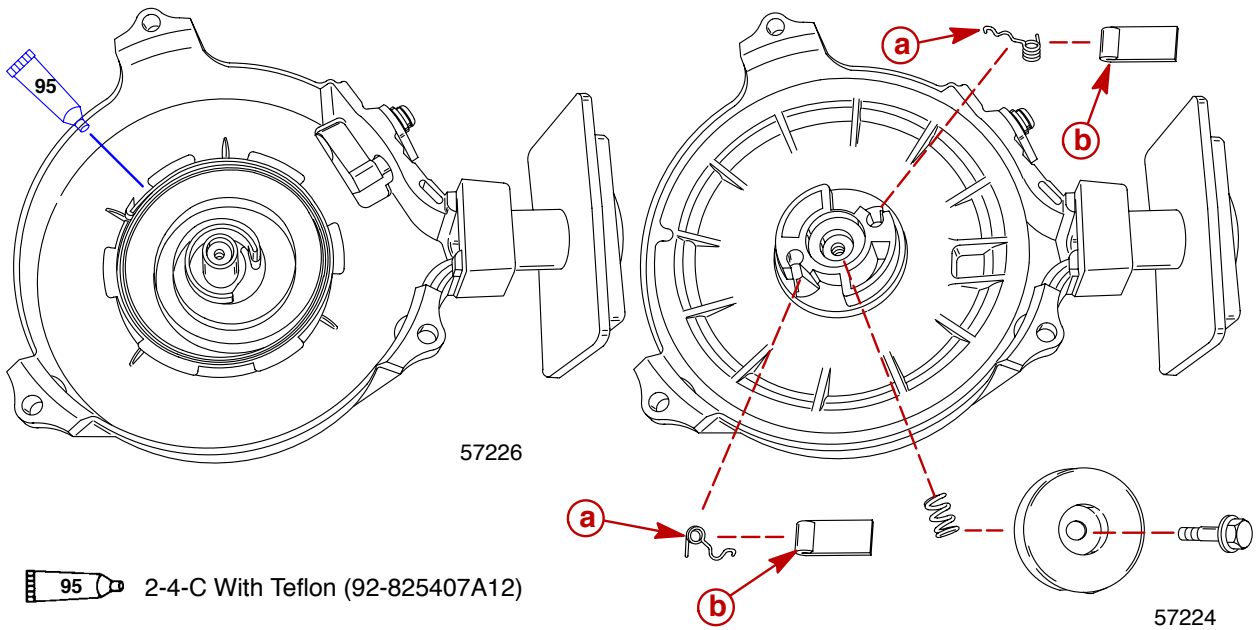


57226

- a** - Outer Hook
- b** - Starter Spring
- c** - Slot
- d** - Starter Housing
- e** - Inner Spring Hook
- f** - Starter Housing Tab

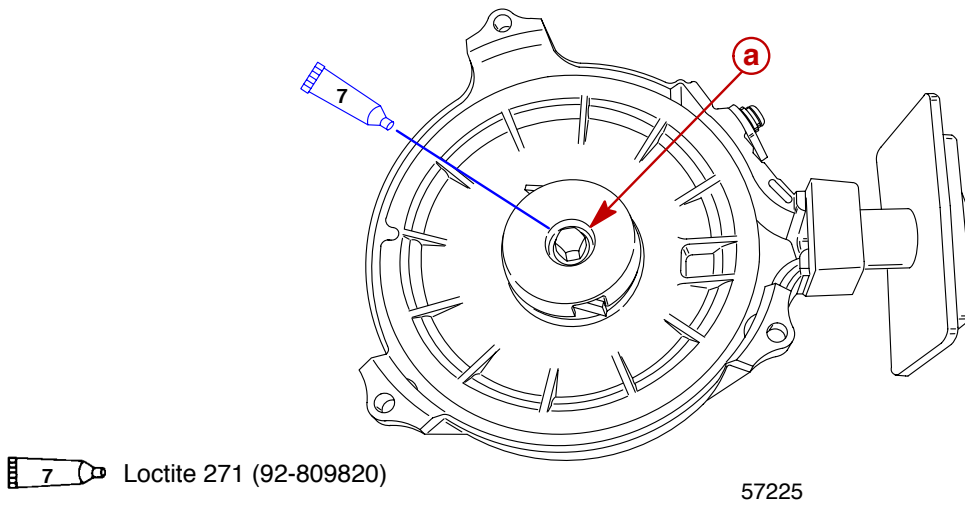


5. Apply a small amount of 2-4-C Marine Lubricant in starter housing and install sheave.
6. Install ratchet pawls, and pawl springs into starter sheave as shown.



- a - Pawl Springs (2)
- b - Ratchet Pawls (2)

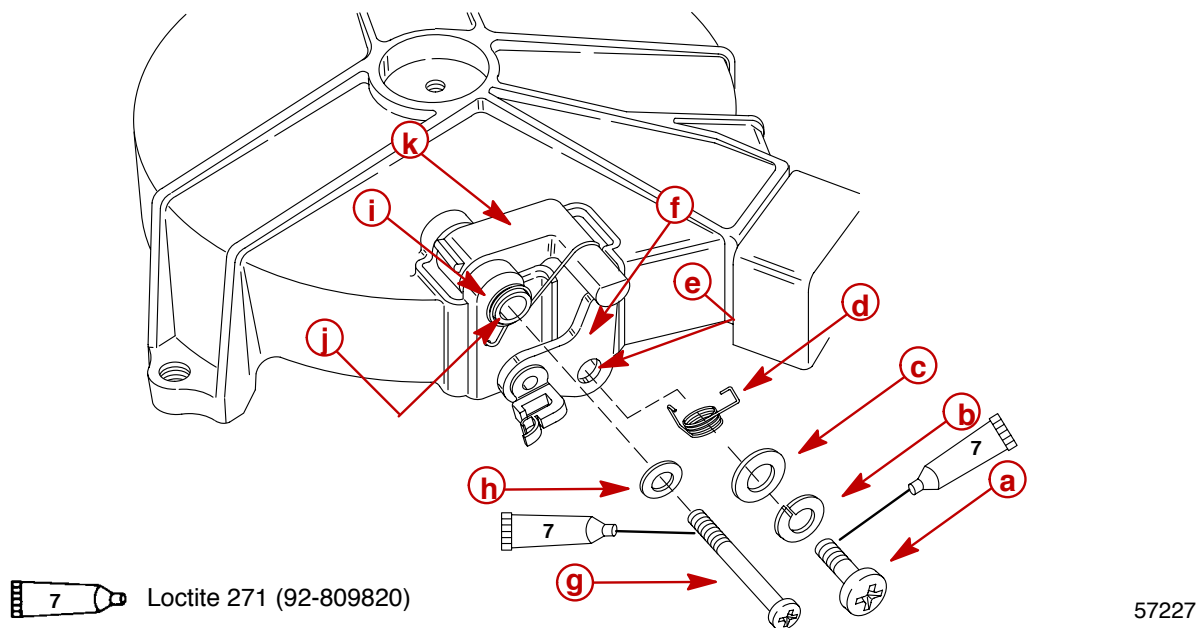
7. Apply Loctite 271 to bolt. Torque bolt to 70 lb-in. (8 Nm).



- a - Bolt



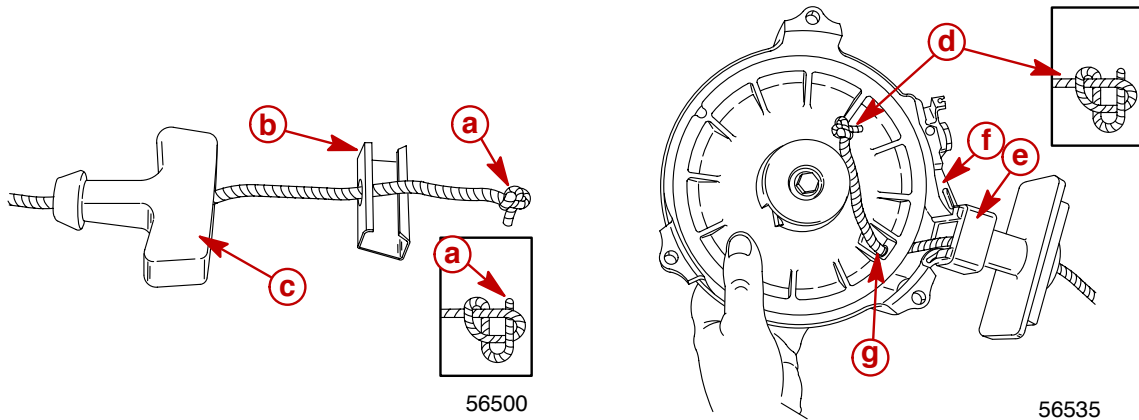
8. Install rope guide if previously removed. Install interlock components, if removed, as shown. Apply Loctite 271 to threads on screw (a) and screw (g) and tighten securely.



- a** - Screw
- b** - Lockwasher
- c** - Flat Washer
- d** - Spring
- e** - Collar (hidden)
- f** - Interlock Cam
- g** - Screw
- h** - Flat Washer
- i** - Spring
- j** - Collar (hidden)
- k** - Starter Lock

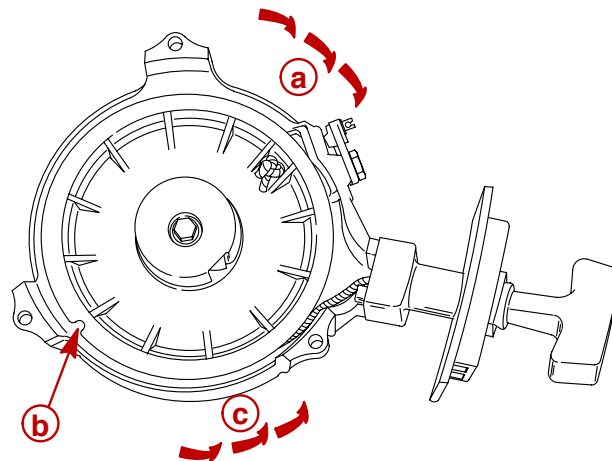


9. Tie knot as shown, thread rope thru retainer and handle.
10. Thread starter rope thru rope guide, starter housing and starter sheave. Tie knot in end of rope as shown in inset and pull knot tight.



- a - Knot
- b - Retainer
- c - Handle
- d - Starter Rope
- e - Rope Guide
- f - Starter Housing
- g - Starter Sheave

11. Turn sheave 2-1/2 turns CLOCKWISE with rope coiling into sheave. Hold rope in slot while turning sheave 3 turns COUNTERCLOCKWISE. Allow sheave to slowly rewind remainder of loose rope.



- a - Turn Sheave 2-1/2 Turns Clockwise
- b - Slot
- c - Turn Sheave 3 Turns Counterclockwise

12. Pull starter handle and check for the following:
 - a. Smooth operation of starter pawls.
 - b. Free movement of starter rope.
 - c. Starter rope rewinds completely.

13. Install manual starter assembly on engine as shown on page 8-4.