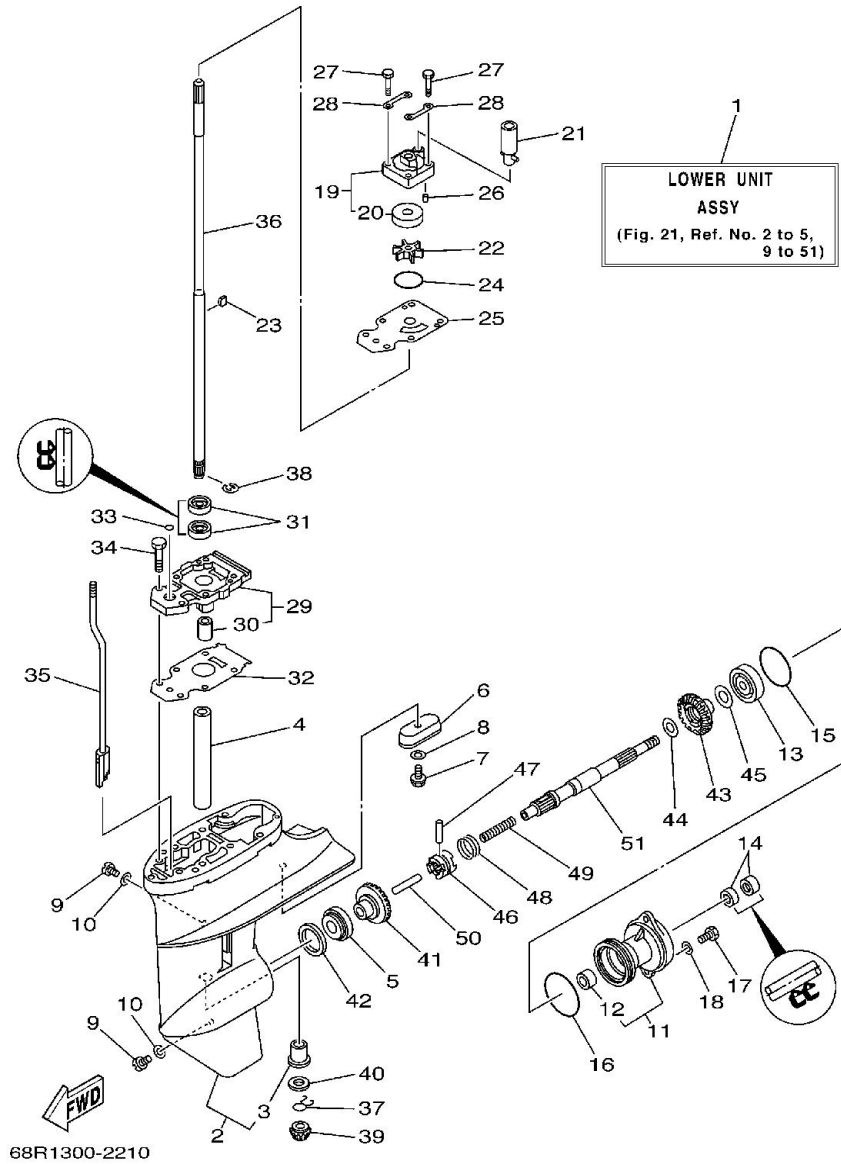


Tekening 21 LOWER CASING & DRIVE 1



Referent	Onderdeel	Omschrijving	Opmerkingen
1	68T-45300-00-4D	LOWER UNIT ASSY	1 S
	68T-45300-10-4D	LOWER UNIT ASSY	1 L
2	68T-45311-00-4D	CASING, LOWER	1
3	6G1-45317-09	BUSHING, DRIVE SHAFT	1
4	90387-14M49	COLLAR	1

5	93306-004U0	BEARING	1
6	68T-45251-00	ANODE	1
7	95895-06016	BOLT, FLANGE	1
8	92990-06300	WASHER, INTERNAL TOOTH	1
9	90340-08002	PLUG, STRAIGHT SCREW	2

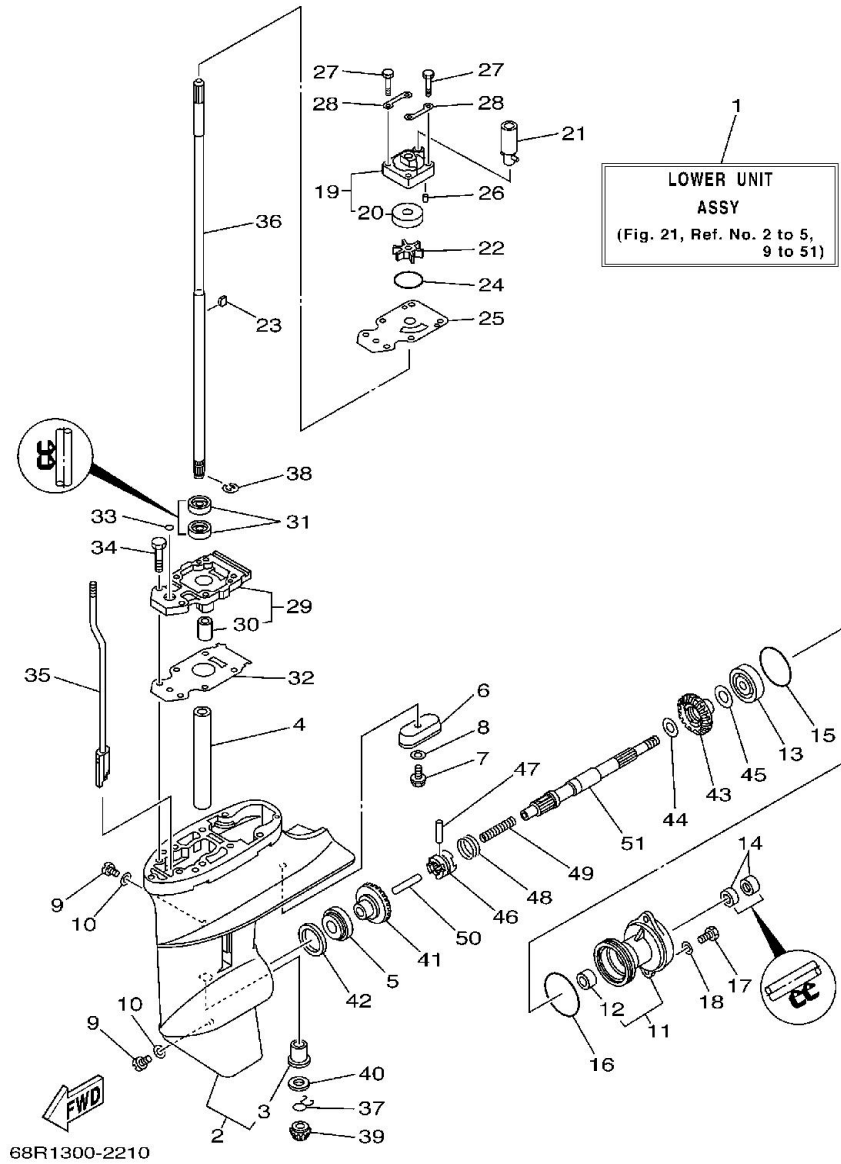
10	90430-08020	GASKET	2
11	6G1-45361-01-4D	CAP, LOWER CASING	1
12	6G1-45362-09	BUSHING	1
13	93306-004U0	BEARING	1
14	93101-15074	OIL SEAL	2

15	93210-49046	O-RING	1
16	93210-53M08	O-RING	1
17	97095-06016	BOLT	2
18	92995-06600	WASHER	2
19	63V-44301-00	WATER PUMP HOUSING COMP.	1

20	63V-44322-00	INSERT, CARTRIDGE	1
21	68T-44366-00	DAMPER, WATER SEAL	1
22	68T-44352-00	IMPELLER	1
23	664-44338-00	KEY, WOODRUFF	1
24	93210-44398	O-RING	1

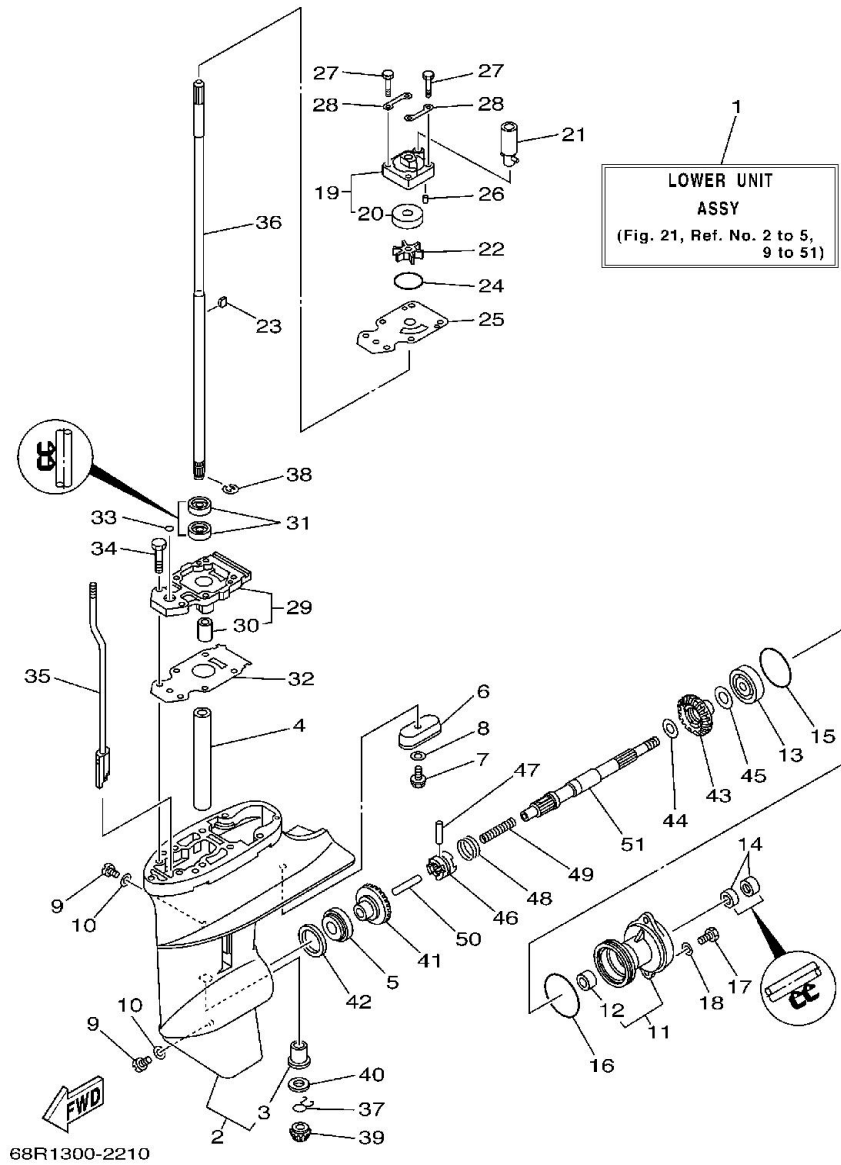
25	68T-44323-00	OUTER PLATE, CARTRIDGE	1
26	93604-12M07	PIN, DOWEL	2

Tekening 21 LOWER CASING & DRIVE 1



Referent	Onderdeel	Omschrijving		Opmerkingen
27	97080-08045	BOLT	4	
28	63V-44328-00	PLATE	2	
29	68T-45331-00-5B	HOUSING, BEARING	1	
30	6G1-45316-09	BUSHING, DRIVE SHAFT	1	
31	93101-11M23	OIL SEAL	2	
<hr/>				
32	68T-45315-A0	PACKING, LOWER CASING	1	
33	93210-06ME6	O-RING	1	
34	97080-08025	BOLT	2	
35	68T-44150-00	SHIFT CAM ASSY	1	
36	68T-45511-00	SHAFT, DRIVE	1	S
<hr/>				
	68T-45511-10	SHAFT, DRIVE	1	L
37	90467-09M05	CLIP	1	
38	99001-07600	CIRCLIP	1	
39	68T-45551-00	PINION	1	
40	6G1-45533-00-19	SHIM (T:1.9MM)	1	UR
<hr/>				
	6G1-45533-00-20	SHIM (T:2.0MM)	1	UR
	6G1-45533-00-21	SHIM (T:2.1MM)	1	UR
	6G1-45533-00-22	SHIM (T:2.2MM)	1	UR
41	68T-45560-00	GEAR	1	
<hr/>				
42	664-45587-01-10	SHIM (T:0.10MM)	1	UR
<hr/>				
	664-45587-01-12	SHIM (T:0.12MM)	1	UR
	664-45587-01-15	SHIM (T:0.15MM)	1	UR
	664-45587-01-18	SHIM (T:0.18MM)	1	UR
	664-45587-01-30	SHIM (T:0.30MM)	1	UR
	664-45587-01-40	SHIM (T:0.40MM)	1	UR
<hr/>				
	664-45587-01-50	SHIM (T:0.50MM)	1	UR
<hr/>				
43	68T-45571-00	GEAR	1	

Tekening 21 LOWER CASING & DRIVE 1



Referent	Onderdeel	Omschrijving		Opmerkingen
44	90201-15M89	WASHER, PLATE	1	
45	647-45567-00	SHIM (T:0.10MM)	1	
46	68T-45631-00	CLUTCH, DOG	1	
47	6G1-45632-00	PIN, CROSS	1	
48	654-45633-00	RING, CROSS PIN	1	
49	90501-12M05	SPRING, COMPRESSION	1	
50	6G1-45635-00	PLUNGER, SHIFT	1	
51	68T-45611-00	SHAFT, PROPELLER	1	
<hr/>				
<hr/>				
<hr/>				
<hr/>				
<hr/>				
<hr/>				
<hr/>				
<hr/>				
<hr/>				